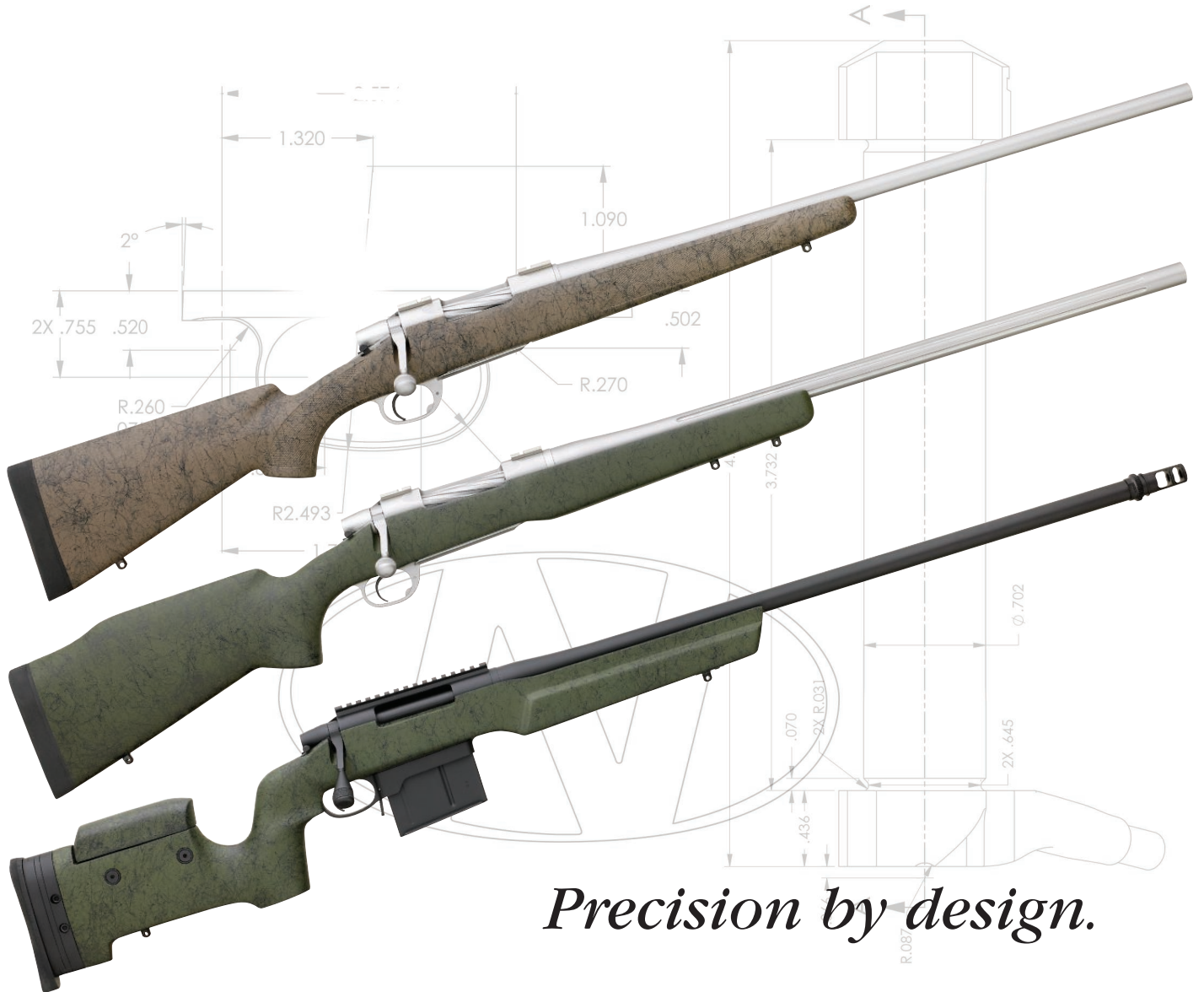




You were made for this.



Precision by design.

2014 PRODUCT CATALOG



**PRESENTING WORLD-CLASS RIFLES, BUILT WITH
WORLD-RENOWNED ACTIONS AT THEIR HEART.**

Precision by design. You were made for this.





Five shots, one hole! Three decades ago, this vision inspired the original Nesika™ action. Using aerospace technology to achieve unrivaled machining tolerances, Nesika produced the most precision-built rifle platform the world had ever seen. Countless titles and multiple world records later, Nesika has earned the esteem of the most elite competitive rifle shooters and custom gun makers the world over.

Today, our rifles and actions set the standard for long-range precision and performance. We proudly offer both rifle actions and three complete rifles built with the same dedication to precision. Each Nesika rifle is hand built by craftsmen who rank among the best custom gunsmiths worldwide.

We invite you to experience them. You were made for this. For the latest updates and product information, visit us online at www.nesikafirearms.com.

George Kollitides
Chief Executive Officer



Scope not included



THE PURSUIT OF PERFECTION IS A DECIDEDLY SHORTER JOURNEY WHEN YOU START THERE.

The heart and soul of any rifle's performance is its action, and Nesika™ Rifles are built around an elite pedigree, carving their reputation out of the precision rifle landscape by the same measures they're crafted - .001" at a time. So it was with intense discrimination that we set out selecting components to complete the Nesika™ Sporter, Long Range and Tactical Rifles. Stock, bedding platform, barrel and trigger were chosen by our experts to maximize the performance of our actions in the most likely applications for each rifle profile.



Scope not included



SUB MOA WITH FACTORY AMMUNITION. GUARANTEED.

The rock-solid, repeatable precision of our rifle designs allows a Sub MOA guarantee with factory-produced ammunition with either Barnes® VOR-TX® or Remington® Premier® Core-Lokt® Ultra Bonded® loads. Test target included.



TIMNEY TRIGGER®

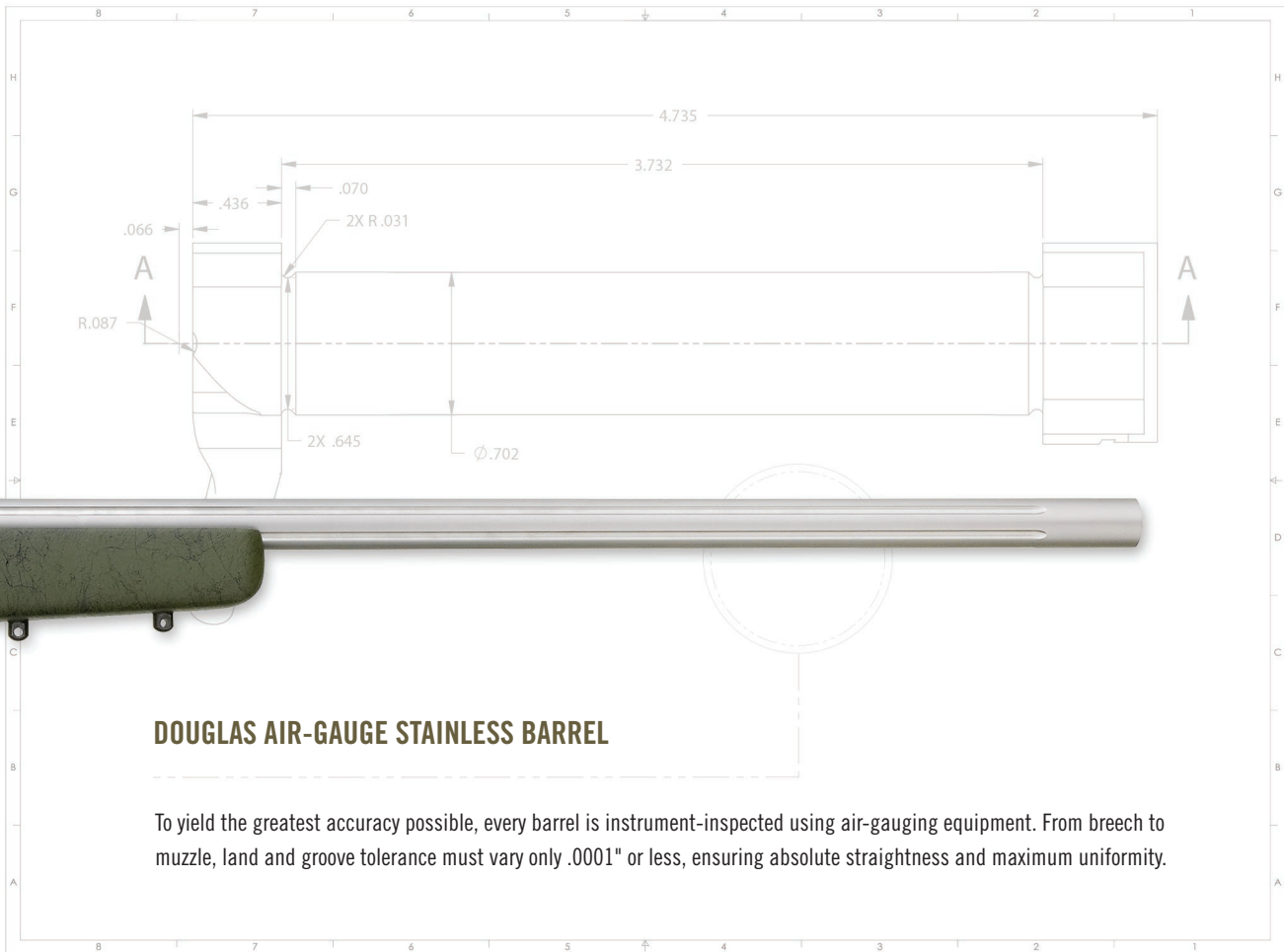
Forged from a one-piece 4340 Chrome Moly steel bolt for ruggedness and durability. Hand-assembled and tested, then set at an exceptionally crisp, smooth 3 lbs.

THE NESIKA™ ACTION

Machined from aircraft-grade stainless steel to +/- .002" tolerances, with every interface trued impeccably from inception. "Borden Bumps" located behind the locking lugs and in front of the bolt handle result in a lockup of ultimate integrity and measurably improved consistency downrange.

ONE-PIECE BOLT

No welds or weak links to fail you. Ever. Nesika bolts are machined from a single piece of Chrome Moly steel to stand the test of time and hard use.



DOUGLAS AIR-GAUGE STAINLESS BARREL

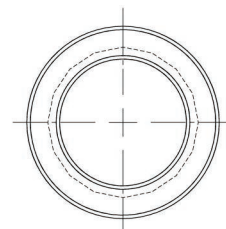
To yield the greatest accuracy possible, every barrel is instrument-inspected using air-gauging equipment. From breech to muzzle, land and groove tolerance must vary only .0001" or less, ensuring absolute straightness and maximum uniformity.

BELL AND CARLSON MEDALIST™ STOCKS

Proprietary composite stock reduces recoil, is impervious to weather and features an integral aluminum bedding system. CNC-machined from aircraft-grade 6061-T6 aluminum, this system ensures perfect fit and alignment of the barreled end, while stiffening the forend – meaning superior accuracy and comfort for you.



11° DEGREE RECESSED TARGET CROWN





**NOT AN INDICATION OF
YOUR STATUS AS A HUNTER.
A MEANS BY WHICH YOU'LL EARN IT.**



NESIKA™ SPORTER

If tight groups and a lifetime of one-shot kills are the status symbols you seek, you've arrived. With a profile suited to stalking out West, tracking back East or chasing plains game across the pond, the Nesika Sporter is one rifle that can do it all with hair-splitting precision. It's hand-built around the Nesika Hunter action with a 24" or 26" stainless steel Douglas barrel that's air-gauged for flawless uniformity. The barreled action is housed in a Bell and Carlson Medalist™ composite stock with an aluminum bedding block for accuracy in all conditions. It comes chambered in six of the most popular short- and long-action big-game cartridges, with a fully adjustable Timney Trigger® pre-set at a crisp 3 lbs. It's the do-all rifle, when only perfection will do.

- Nesika Hunter action, receiver made from 15-5 stainless steel
- 24" or 26" stainless steel Douglas air-gauged barrel
- Bell and Carlson Medalist™ Sporter Stock with aluminum bedding block
- Fully adjustable Timney Trigger® pre-set at 3 lbs
- One-piece bolt crafted of 4340 Chrome Moly steel, Cerakote™ for protection
- Leupold® QRW base
- Stainless steel Oberndorf-style hinged floorplate

CALIBER	BBL LENGTH	APPROX. WEIGHT	RAMAC	MSRP
7mm-08 Remington	24"	8 lbs.	N60300	\$3,499
308 Win.	24"	8 lbs.	N60301	\$3,499
280 Remington	24"	8 lbs.	N60302	\$3,499
30-06 Sprg.	24"	8 lbs.	N60303	\$3,499
7mm Remington Mag.	26"	8 lbs.	N60304	\$3,499
300 Win. Mag.	26"	8 lbs.	N60305	\$3,499

**GUARANTEED SUB
MOA ACCURACY**
Test Target Included



CLOSING THE DISTANCE.
ALSO KNOWN AS CLOSING THE BOLT ON A NESIKA.





NESIKA™ LONG RANGE

One shot may be all you have. Fortunately, it's also all you'll need, with the distance-closing accuracy of our Nesika Long Range rifle. Its extended-range superiority starts with the Nesika Hunter action. From there our engineers selected a 26" stainless air-gauged Douglas barrel, with a fluted varmint contour for maximum rigidity and absolute straightness. Accuracy in any condition is assured thanks to the Bell and Carlson™ varmint/tactical composite stock with aluminum bedding block. And it is chambered in 7mm Remington Mag. 300 Win. Mag. featuring the precision shot-control of a Timney Trigger® pre-set at 3 lbs. Capitalize on the one shot you've been waiting for.

- Nesika Hunter action, receiver made from 15-5 stainless steel
- 26" stainless steel Douglas air-gauged barrel, with Varmint/Tactical contour
- Bell and Carlson™ Varmint/Tactical composite stock with aluminum bedding block
- Fully adjustable Timney Trigger® pre-set at 3 lbs
- One-piece bolt crafted of 4340 Chrome Moly steel, Cerakote™ for protection
- Leupold® QRW base
- Stainless steel Oberndorf-style hinged floorplate

CALIBER	BBL LENGTH	APPROX. WEIGHT	RAMAC	MSRP
7mm Remington Mag.	26"	9 ¾ lbs.	N60320	\$3,999
300 Win. Mag.	26"	9 ¾ lbs.	N60321	\$3,999

**GUARANTEED SUB
MOA ACCURACY**
Test Target Included



CRAFTED WITH THE PRECISION ANY SURGEON
WOULD DEMAND OF HIS TOOLS.



Scope not included

The dimensions shown here, to comply with the ITAR, are not the true dimensions of the product



NESIKA™ TACTICAL

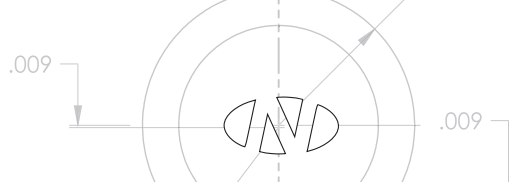
For surgeons like you, a fine-tuned instrument of unparalleled precision. Custom-built by our elite gunsmiths, the Nesika Tactical rifle is a true performance enhancer from the ground up. At its heart is the venerable Nesika Tactical action. The Douglas, tactical-contoured 28" barrel is threaded to accept AAC® Blackout muzzlebrake and suppressors for sending every round downrange as consistently as the last. A Cerakote™ black matte finish guards all metalwork, including the 5-round steel magazine and stainless Mil. Std. 1913-style rail. The Bell and Carlson™ composite stock with aluminum bedding block offers impeccable weather resistance and rigidity. A superior competitor in every way – for all that you are as a shooter and everything you hope to become.

- Nesika™ Tactical action, receiver made from 15-5 stainless steel
- 28" stainless steel Douglas air-gauged barrel, with tactical contour
- AAC® Blackout muzzlebrake and suppressor adapter
- Cerakote® black matte finish on all metalwork
- 5-round detachable steel box magazine
- Bell and Carlson™ tactical hand laid-up composite stock with aluminum bedding block, including spacer adjustable length of pull and adjustable cheek-piece
- One-piece, stainless Mil. Std. 1913-style rail with 15 MOA taper accommodates numerous scope lengths
- Fully adjustable Timney Trigger® pre-set at 3 lbs.
- One-piece bolt crafted of 4340 Chrome Moly steel, Cerakote™ for protection
- Stainless steel Oberndorf-style hinged floorplate

CALIBER	BBL LENGTH	APPROX. WEIGHT	RAMAC	MSRP
300 Win. Mag.	26" + Brake	13 ¾ lbs.	N60330	\$4,499
338 Lapua	28" + Brake	13 ¾ lbs.	N60331	\$4,499

**GUARANTEED 1/2
MOA ACCURACY**
Test Target Included





NESIKA™ BAY PRECISION ACTIONS.

The world's finest rifle actions, for the hunter and shooter of uncompromising standards. Available in four editions, each action is a model of enduring strength and exacting tolerances. The receiver is machined from 15-5 stainless steel, while the one-piece bolt and bolt handle are made from a single piece of 4340 Chrome Moly. And each features "Borden Bumps," yielding less than .001" clearance when in the locked position.

Whatever your passion, Nesika actions are the premier platform of our world-class rifles, or for crafting your own.

Each action is available with most of the following options:

- Right or Left bolt
- Right or Left port
- Micro ejection port
- Single shot or repeater
- Double pinned recoil lug
- Spiral fluted, straight fluted or non-fluted bolt
- Pinned trigger or trigger hanger
- Top safety cut on tang
- Plunger ejector
- Aluminum or stainless bolt shroud
- Remington-style tang available for 1.35" diameter

TACTICAL MODEL

True, dependable performance, with action lengths to fit a variety of calibers. Features a fluted bolt and a 1913 Mil. Std. scope rail.



	RECEIVER LENGTH	RECEIVER DIAMETER	BOLT DIAMETER	MSRP
MODEL KT	8.11"	1.35" or 1.47"	700"	\$1,400
MODEL LT	8.86"	1.35" or 1.47"	700"	\$1,450
MODEL MT	8.86"	1.35" or 1.47"	750"	\$1,700

CLASSIC MODEL

Beauty and precision come together to craft the world's premier rifle action. Flat bottom and sides.

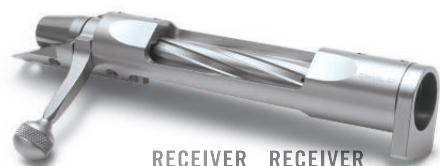


	RECEIVER LENGTH	RECEIVER DIAMETER	BOLT DIAMETER	MSRP
*MODEL R	7.36"	1.35"	700"	\$1,275
MODEL E	8.11"	1.35"	700"	\$1,375
MODEL G	8.86"	1.35"	700"	\$1,475

*Single Shot Only

HUNTER MODEL

The cornerstone of your most accurate hunting rifle. Lightweight, with faceted sides and a large loading port.



	RECEIVER LENGTH	RECEIVER DIAMETER	BOLT DIAMETER	MSRP
*Model C	7.36"	1.35"	700"	\$1,050
MODEL T	8.11"	1.35"	700"	\$1,200
MODEL V	8.86"	1.35"	700"	\$1,250
MODEL MH	8.86"	1.35"	750"	\$1,450

*Single Shot Only

ROUND MODEL

Ideal for match-grade accuracy and all-around versatility. Available with a .750 diameter bolt for Lazzeroni and Lapua magnums.



	RECEIVER LENGTH	RECEIVER DIAMETER	BOLT DIAMETER	MSRP
*MODEL J	7.36"	1.35" or 1.47"	700"	\$1,000
MODEL K	8.11"	1.35", 1.47" or 1.70"	700"	\$1,050
MODEL L	8.86"	1.35", 1.47" or 1.70"	700"	\$1,100
MODEL S	8.11"	1.35" or 1.47"	750"	\$1,350
MODEL M	8.86"	1.35" or 1.47"	750"	\$1,350

*Single Shot Only

Weights, stock dimensions, checkering pattern and wood grain may vary according to the individual firearm. Nesika reserves the right to change or modify its products without notice. Pricing may vary by model, specification, color, size and availability. Follow the safety rules printed in firearms instruction books and on ammunition boxes. If you do not have an instruction book for your Nesika firearm, write to Nesika, 1310 Industry Road, Sturgis, SD 57785 for a free copy or visit our website at www.nesikafirearms.com. Please specify the model and serial number. The firearms herein have been photographed with the actions closed to properly showcase their features. In actual practice, any firearm not in use must be left with the ammunition removed, action open and safety on. Consumer Information, Arms Service, Parts and Repairs: 605-347-4686. Visit us on the web at www.nesikafirearms.com.



© 2014 Nesika Firearms
 1310 Industry Road | Sturgis, SD 57785 | 605.347.4686
www.nesikafirearms.com • info@nesikafirearms.com



Nesika, Barnes, VOR-TX, Remington, Core-Lokt, AAC, and Blackout are trademarks of RA Brands, L.L.C.. Timney Triggers is a trademark of JAT Operations Limited Partnership. Bell and Carlson and Medalist are trademarks of Bell and Carlson. Douglas is a trademark of Douglas Barrels, Inc.. Leupold and QRW are trademarks of Leupold Stevens, Inc.. Cerakote is a trademark of NIC Industries, Inc..

NS100007